

# SWIT®

## Chip-Array LED On-Camera Light S-2070

Ver: B

# USER MANUAL

## SWIT Electronics Co.,Ltd.

Tel:+86-25-85805753  
Fax:+86-25-85805296  
http://www.swit.cc  
E-mail: contact@swit.cc

Thank you for choosing SWIT products. Please read the instructions before using, and keep it for future reference

## Features

- ◆ New generation chip-array LED technology, outputs bright but soft & glareless light;
- ◆ 60°wide beam angle, equally spread light, no visible lighting edge and single shadow;
- ◆ 13W lower power consumption, 1100Lux @ 1meter, 10%-100% dimmer;
- ◆ 5000K output, 5600K/3200K filter;
- ◆ 6V-17V wide voltage input , support D-tap power, standard DV battery and special slim battery;
- ◆ High intensity and toughness glass fiber housing, cool-touch, and both screw and cold shoe install.

## Product view

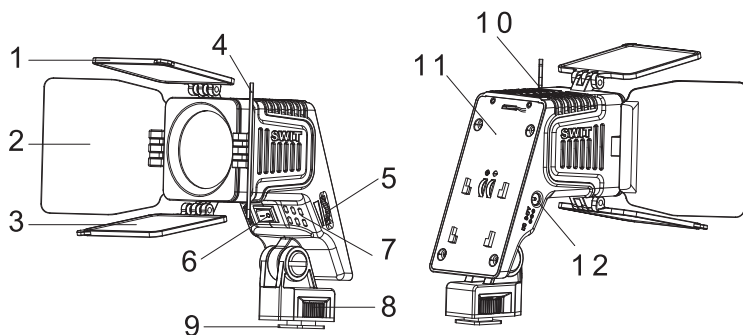


Fig 1

Fig 2

- |                 |                     |
|-----------------|---------------------|
| 1 5600K filter  | 7 Cooling vent      |
| 2 Barn door     | 8 Fasten knob       |
| 3 3200K filter  | 9 Cold shoe         |
| 4 Barn door     | 10 Cooling vent     |
| 5 Dimmer knob   | 11 DV plate install |
| 6 Switch on/off | 12 DC-IN socket     |

## Caution

1. Never disassemble the light or touch its inside with metal objects to avoid damage.
2. Only be repaired by professional technician.
3. Keep the light away from rain or moisture.
4. Please do not stare at the turned on LED light.
5. Keep the filters clean.
6. When powering through DC-IN socket by D-tap cable, please make sure the power supply's voltage and power meet the light input requirements.
7. Only use the light in the temperature range of -10°C~40°C.
8. Storage temperature: -20°C~+55°C
9. Never insert anything into the cooling vent to avoid damage or short circuit.

## Cleaning

Use a soft, dry cloth to clean the LED light. If you clean the light with soft cloth slightly moistened with neutral detergent, please dry the surface of the light with a soft, dry cloth. Do not use a damp cloth or alcohol, gasoline and other solvents of any kind.

## Specification

Input voltage	DC 6V~17V
Power consumption	Approx. 13W
Beam angle	Approx. 60°
Illuminance	Approx. 1100lux @1m(5000K) Approx. 800lux@1m(5600K) Approx. 400lux @1m(3200K)
Color temperature	5000K and 5600K /3200K switchable
CRI	88
Weight	Approx. 274g
Dimension	108mm×80mm×133mm

## Packing List

	Packing details	Quantity
1	LED light	x 1
2	S-7004 series snap-on DV plate (optional for different types)	x 1
3	Portable bag	x 1
4	Power cable (S-7104,S-7108 optional)	x 1
5	Warranty card	x 1
6	User manual	x 1

# Usage

## 1. Power supply

The S-2070 accepts three ways of power supply: 1. By special slim battery S-8040; 2. By various standard DV camera batteries; 3. By DC cable.

### ● By special slim battery S-8040 (Optional purchase)

- ① Make sure there's no power lead connected into DC-IN socket and the light is switched off (turn the switch to "O"). Align a fully charged S-8040 battery to the DV mount slot to same side, and press tightly in. Slide the battery downward to snap together. See Fig 3

### ● By various standard DV camera batteries

- ① Align the S-7004 series battery plate to the DV mount slot to same side, and press tightly in. Then slide the S-7004 downward to snap together. See Fig 4
- ② Fix the DV mount with two screws.
- ③ Make sure the light is switched off (turn the switch to "O"). Mount a fully charged battery to the S-7004 mount. Fig 4

Remark: Select a compatible S-7004 battery plate to match your DV battery:

Model	Compatible battery	Recommended SWIT
S-7004F	SONY NP-970/770	S-8972/8970/8770
S-7004D	Panasonic D54S, VW-VBD58	S-8D62, S-8D58
S-7004C	Canon BP-945/970G	S-8945/8845
S-7004U	SONY BP-U60/U30	S-8U63
S-7004E	Canon DSLR LP-E6	S-8PE6
S-7004B	Panasonic VW-VBG6	S-8BG6
S-7004V	JVC BN-VF823	S-8823
S-7004I	JVC SSL-JVC50	S-8I50

### ● By DC cable

- ① Make sure the light is switched off (turn the switch to "O"). Plug the pole end of package supplied DC cable into the DC-IN socket. Plug the other end\* of DC cable to camera auxiliary power tap or the battery DC output socket.

\*Remark: S-2070 supplied 2 kinds of DC cables, optional for different power sources:

Cable Model	Connector description	Length
S-7104	Battery D-tap output → Pole-tap input to S-2070	1m
S-7108	Battery Pole-tap output → Pole-tap input to S-2070	1m

- ② For third-party DC cables, please make sure the DC connector is 5.5/2.1mm pole and input voltage should be 6-17V; and inner: positive, Outer: negative. See Fig 5.

## 2. Fix the LED light to the camera

### ● By Cold shoe

- ① Anticlockwise revolve the fasten knob, till the screw bolt is back into the cold shoe slice.
- ② Align the cold shoe slice with the cold shoe mount on the camera handle.
- ③ Clockwise revolve the fasten knob to install the light onto the camera.

### ● By 1/4" screw mount

- ① Clockwise revolve the fasten knob, till the screw bolt is out of the cold shoe slice.
- ② Align the screw bolt with the 1/4" screw thread on the camera handle.
- ③ Continuously clockwise revolve the fasten knob to install the light onto the camera.

## 3. Adjust the angle of the light:

Hold the light, and adjust the light upward or downward. See Fig 7.

## 4. Open barn doors and filters:

Open the barn doors and filters to about 45°. See Fig 1.

## 5. Switch on: Turn the switch to "I".

## 6. Adjust the illuminance:

Adjust the illuminance from 10% to 100% by the dimmer knob.

## 7. Adjust color temperature:

Output 5600K light by using 5600K filter(See Fig1 -①)

Output 3200K light by using 3200K filter(See Fig1 -③)

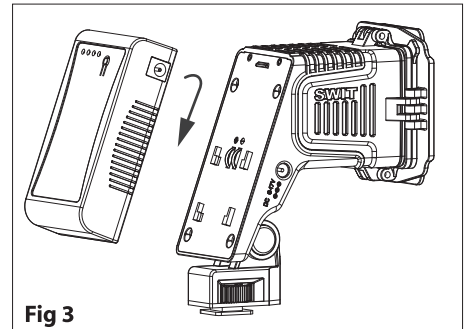


Fig 3

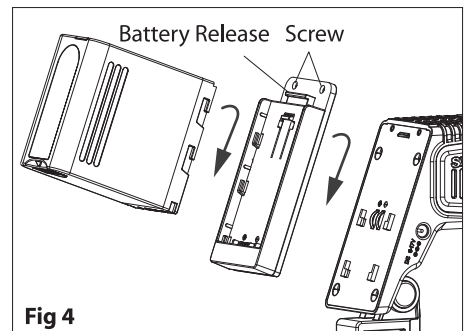


Fig 4

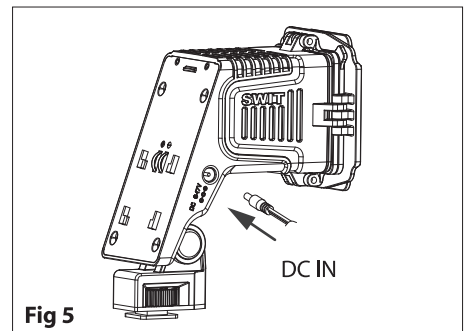


Fig 5

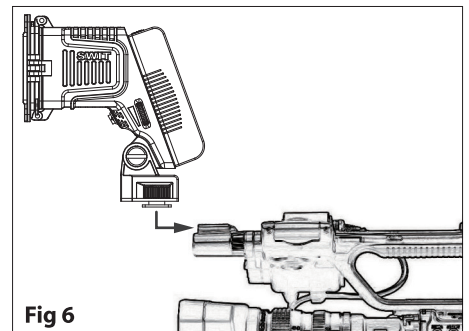


Fig 6

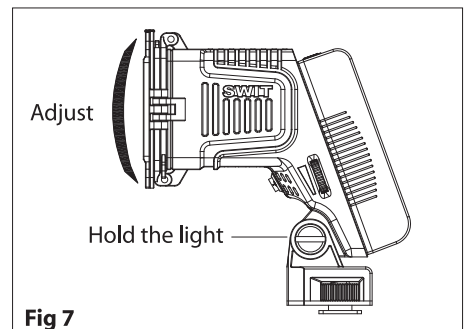


Fig 7