

SWIT®**FL-C200D/FL-C400D****LED Dual colour temperature spotlight**

Ver: A

USER MANUAL

SWIT Electronics Co.,Ltd.Tel:+86-25-85805753
Fax:+86-25-85805296
http://www.swit.cc
E-mail: contact@swit.cc

Thank you for choosing SWIT products. Please read the instructions before using, and keep it for future reference.

TECHNICAL PARAMETERS

Model	FL-C200D	FL-C400D
Colour temperature	2700K-8000K	
Brightness	0%-100%	
CRI	97	
TLCI	99	
SSI(D55)	75	
Central illumination	Spot: around 65000 Lux@1m 7200 Lux@2m 2600 Lux@3m Flood: around 12000 Lux@1m 1300 Lux@2m 480 Lux@3m	Spot: around 130000 Lux@1m 15000 Lux@2m 5200 Lux@3m Flood: around 24000 Lux@1m 2600 Lux@2m 960 Lux@3m
Half-peak beam angle	Spot:15° Flood:50°	
Control mode	CCT, DMX, EFF, SYS	
Operating Voltage	local control,DMX	
Complete lamp power	AC 100-240V, 50/60Hz	
Size(mm)	Around 185W (AC 220V)	Around 380W(AC 220V)
Overall Net Weight	Details Figure1 Figure 2 Figure3 Note: FL-C200D and FL-C400D have the same external dimensions, the side dimensional drawing shows FL-C200D as an example	
Model	6.85Kg (Manual focus version with blackout filter) 7.2Kg (with blackout filter, motorised focus version)	

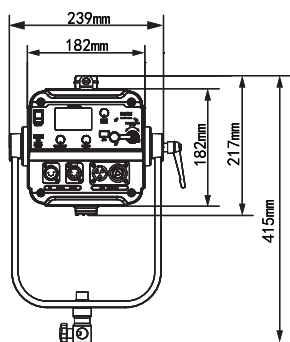


Figure 1 back side (Manual focus version)

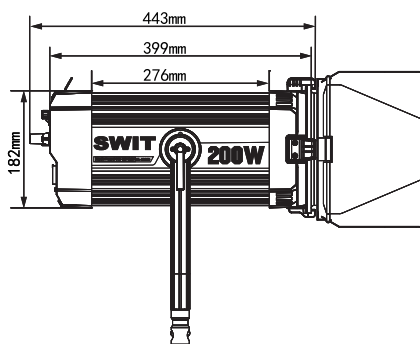


Figure 2 lateral side (Manual focus version)

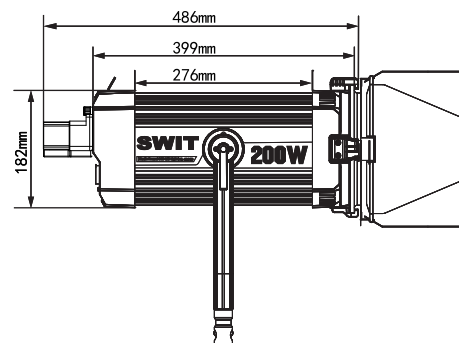


Figure 3 lateral side (motorised focus version)

CAUTIONS

1. Do not disassemble the luminaire or touch the interior of the luminaire with metal objects as this may cause damage;
2. Do not use outdoors in rain or snow or leave the luminaire in a wet environment;
3. To ensure safety when using the luminaire, please use it with a safety rope;
4. Use this product only in the temperature range of -10°C to 40°

APPEARANCE

The FL-C200D and FL-C400D products are identical in appearance except for the silk-screened side labels which are different. Product display with FL-C200D as an example.

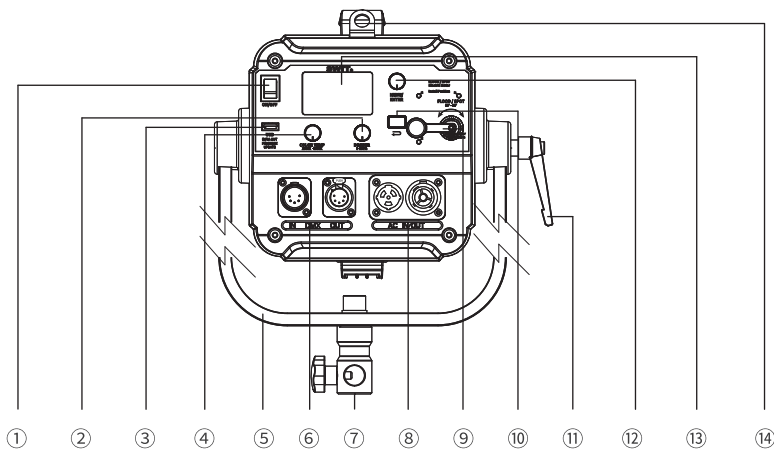


Figure 4 back side (Manual focus version)

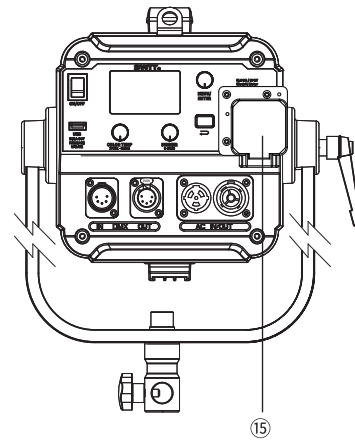


Figure 5 back side (motorised focus version)

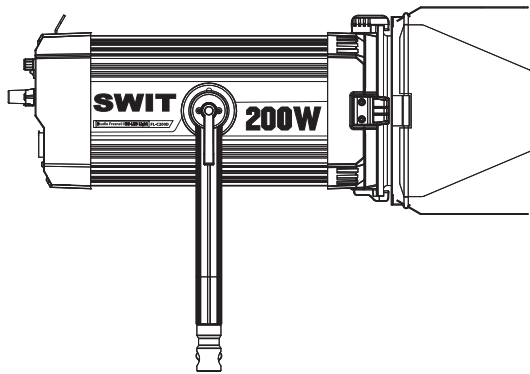


Figure 6 FL-C200D lateral side (Manual focus version)

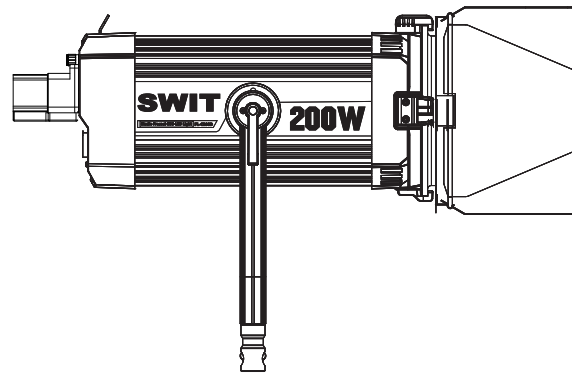


Figure 7 FL-C200D lateral side (motorised focus version)

- | | | |
|---------------------|-------------------------------------|-------------------------------|
| ① Power switch | ⑥ DMX IN/OUT | ⑪ Pitch angle adjustment knob |
| ② "DIMMER" knob | ⑦ U-bracket adapters | ⑫ "MENU/ENTER" knob |
| ③ USB | ⑧ AC IN/OUT | ⑬ LCD |
| ④ "COLOR TEMP" knob | ⑨ Focusing handle (Adjusting focus) | ⑭ Insurance loop |
| ⑤ U-shaped bracket | ⑩ "↔" Button | ⑮ Motor |

MODIFICATIONS-MOTOR FOCUSING SOLUTIONS

This product is supplied with a motor module as an option, the user can purchase the motor module according to the usage requirements and carry out the modification of the version with motor by themselves in the following way:

1) Use the tool (Allen key) inside the accessory box to remove the focus handle in figure 8;

Note: The fastening screws for the focusing handle are of the following sizes M4*8

2) Follow the instructions on the control panel label to find the holes reserved for the motor mounting label and remove the excess;

3) Plug in the motor module communication cable to establish a valid connection between the motor module and the FL-C200D/FL-C400D lamp body;

4) Smooth out the motor module communication lines and fit the motor module coupling to the lamp body focusing screw;

5) Hold the motor module against the flat surface of the FL-C200D/FL-C400D rear housing with your hand (be careful not to press on the motor module communication wires);

- 6) Use the matching tool (Allen key) to tighten the motor coupling screws as shown in Figure 9;
- 7) Align the motor module with the corresponding motor mounting screw holes on the control panel and use M3*12 screws for fastening, the appearance of the complete machine after modification is shown in Figure 7 and Figure 10;
- 8) Motor Reset

After the initial installation of the motor, the motor must be reset:

- › Turn on the FL-C200D/FL-C400D power switch;
- › The motor is reset by turning and pressing the "MENU/ENTER" knob and pressing the "SYS" → "Motor Reset" path, the motor reset process is shown in Figure 11 to Figure 13
- › Once the motor has been successfully reset, press the "MENU/ENTER" knob or the "↶" button to exit this screen.

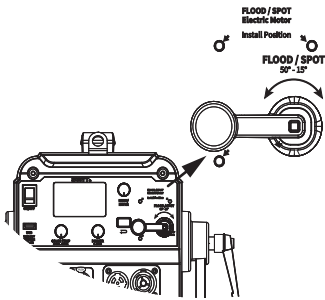


Fig. 8 Control panel (before modification)

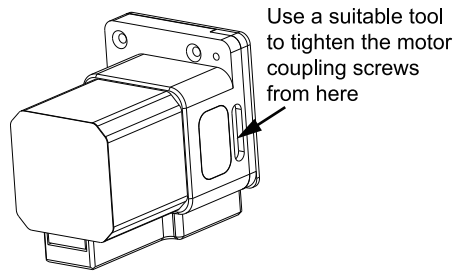


Fig. 9 Motor module

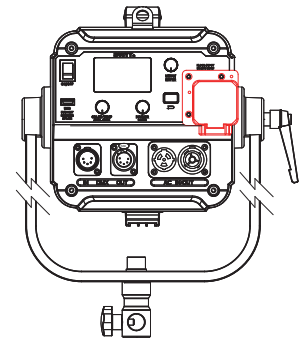


Fig. 10 Control panel (after modification)

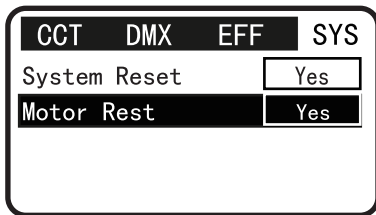


Fig. 11 Motor reset option

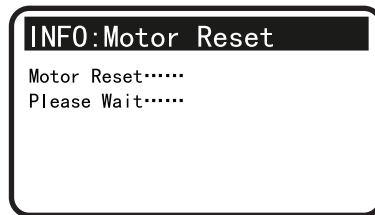


Fig. 12 Motor reset in progress

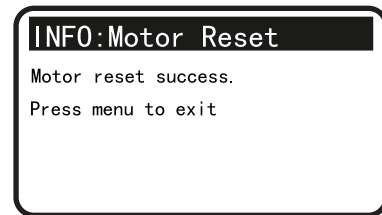


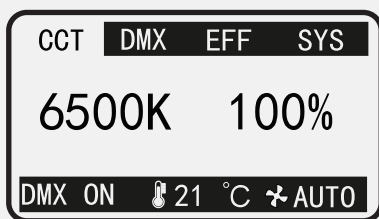
Fig. 13 End of motor reset

CONTROL PANEL AND USAGE

The operating modes include: CCT mode, DMX mode, EFF mode, SYS mode, the control panel knobs and keys function as follows:

- › "MENU/ENTER"Knob: Working mode switching and parameter setting by pressing or rotating;
- › "↶" Button: Back to previous menu
- › "COLOR TEMP"Knob: Colour temperature parameter adjustment
- › "DIMMER"Knob: Brightness parameter adjustment
- › Focusing handle/motor: Focusing

1.CCT mode



In this operating mode, the user can set the "colour temperature" and "brightness" parameters via the parameter adjustment knobs shown in Figure 4 ②/④.

Note: The operating status of the DMX and FAN needs to be set in the "SYS" menu.

No.	Parameters	Adjustment range	Minimum adjustment step
1	Colour temperature	2700K-6500K	50K
2	Brightness	0%-100%	1%

Table 1 【CCT mode】Adjustable parameters and adjustment range

2.DMX mode

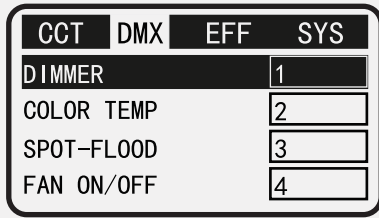


Figure 15 DMX Mode

To enable this mode, the user needs to set [DMX ON/OFF] to ON in the [SYS] menu, where the DMX channel address for brightness, colour temperature, motor focus, fan control, etc. can be set independently by pressing/rotating the "MENU/ENTER" knob.

No.	Parameters	Adjustment range	Minimum adjustment step
1	Brightness	1-512	1
2	Colour temperature	1-512	1
3	Motor focus	1-512	1
4	Fan control	1-512	1

Table 2 【DMX mode】Channel definition and adjustment range

3.EFF mode

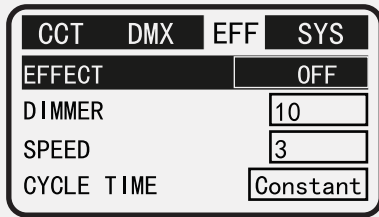


Figure 16 EFF mode

In this operating mode, the user can select scenes and set parameters by pressing/turning the "MENU/ENTER" knob.

No.	Parameters	Adjustment range	Minimum adjustment step
1	EFFECT	OFF, Candle, Lighting, FaultyBuld	/
2	DIMMER	0-100	1
3	SPEED	1-10	1
4	CYCLE TIME	Constant, One Time	/

Table 3 【EFF mode】Scene selection and parameter setting

4.SYS Setting

FL-C400D system parameters as an example:

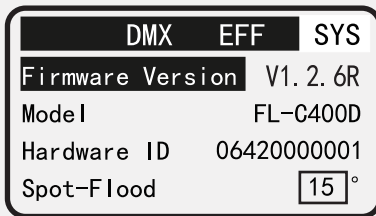


Figure 17 【SYS】Display screen No.1

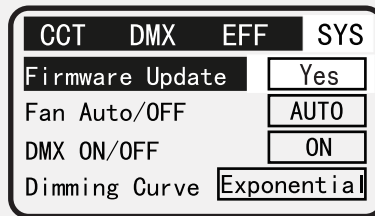


Figure 18 【SYS】Display screen No.2

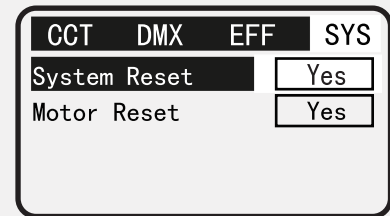


Figure 19 【SYS】Display screen No.3

Under the [SYS] display, users can set system parameters and learn other relevant information such as firmware version number, product specification, hardware number, etc.

No.	Menu list	Parameter List	Function description
1	Firmware Version	V1.2.6R	Firmware version of this machine
2	Model	FL-C400D	Product Specification
3	Hardware ID	0642000001	Local hardware number
4	Spot-Flood	15°~50°	Motor regulation: 15° for spot light, 50° for flood light
5	Firmware Update	Yes	Firmware upgrade
6	Fan ON/OFF	AUTO	Fan status "Auto"
		OFF	The fan status is "OFF", when: 1) the FL-C200D Dimmer parameter has a control range of 0% to 73%; 2) The FL-C400D Dimmer parameter has a control range of 0%-48%.
7	DMX ON/OFF	ON	DMX function on
		OFF	DMX function off
8	Dimming Curve	Linear	Linear dimming curve
		Logarithmic	Logarithmic dimming curve
		Exponential	Exponential dimming curve
		S Curve	"S" dimming curve
9	System Reset	Yes	System Reset, initialisation
10	Motor Reset	Yes	Motor reset Note: This must be done for first time motor installation

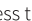
5. Use of motors

There are two types of motor regulation for this product: local control and DMX control.

1) Local control

Rotate and press the "MENU/ENTER" knob and press the "SYS"→ "Spot-Flood" path for manual adjustment of the motor parameters, parameter adjustment range: 15°~50°.

2) DMX control

- › makes a valid connection between the DMX external control device and the FL-C200D/FL-C400D;
- › Turn and press the "MENU/ENTER" knob, press "SYS" → "DMX ON/OFF" to select the path "ON" to turn on the DMX switch;
- › Press the "  " button to exit the "SYS" screen;
- › Rotate and press the "MENU/ENTER" knob to set the DMX address in "DMX" mode, valid range for DMX addresses: 001-512; See Figure 15 and Table 2 for details.
- › Find the motor control corresponding channel actuator and slide the actuator to control the motor.

FIRMWARE UPGRADES

1. Program upgrade package access

Access: <http://www.swit.cc>

2. Firmware upgrade steps

- 1) Prepare an empty USB stick with a FAT32 file system;
- 2) Place the firmware upgrade package in the root directory of the USB stick;
- 3) Turn on the power switch so that the FL-C200D/400D is in working condition, insert the USB flash drive into Figure 4 ③ USB port;
- 4) Rotate, press the "MENU/ENTER" knob and press "**SYS**" → "**Firmware Update**" → "**Yes**" to upgrade the firmware:
- 5) Wait for a successful prompt and reboot the FL-C200D/400D to check the firmware version and confirm that the upgrade was successful:
 - › Rotate, press the "MENU/ENTER" knob, press "**SYS**" → "**Firmware Version**" path to check the firmware version of the machine, if the version number is the same as the upgrade package version number, then the firmware upgrade is successful;
 - › If the firmware upgrade fails, see [General Handling of Upgrade Failures] for details

3. General handling of failed upgrades

If the firmware upgrade prompt fails, try the following two methods:

- 1) Press the "MENU/ENTER" key to exit the current interface and repeat [firmware upgrade steps] step 4) until the upgrade is successful;
- 2) Replace the USB flash drive with one that meets the requirements and repeat steps 2) to 5) of the [Firmware Upgrade Procedure] until the upgrade is successful;

Attention:

- 1. Do not power off or unplug the USB drive during the upgrade process!**
- 2. The file system of the USB flash drive is FAT32!**
- 3. The firmware upgrade package is placed in the root directory of the USB drive!**

PACKING LIST

NO	Manual focus version	motorised focus version	Amount
1	FL-C200D/FL-C400D		x 1
2	Blackout hoods		x 1
3	Blackout Cloths		x 1
4	AC plugs		x 1
5	Safety ropes		x 1
6	Power cables		x 1
7	Motor module (optional)	/	Optional